

Internet Society introduction

FICIX Workshop
2004-11-05

Tommi Karttaavi
ISOC Finland

History (1/2)

- 1958 DARPA (Defense Advanced Research Projects Office)
- 1966 first ARPANET plan (Lawrence G. Roberts)
- 1969 ARPANET starts
 - four nodes (UCLA, SRI, UCSB, Univ. of Utah)
 - NWG (Network Working Group) founded
 - 7.4.1969 RFC 1 "Host Software" (Steve Crocker)
- 1983 transition from NCP to TCP/IP

History (2/2)

- 1979 DARPA forms ICCB (Internet Configuration Control Board)
- 1983 ICCB replaced with IAB (Internet Activities Board)
- 1986 IETF (Internet Engineerin Task Force) and IRTF (Internet Research Task Force) established under IAB

Internet Society

- Founded in 1992
- HQ in Reston, VA
- Staff of 10 people in 3 countries
- Governed by Board of Trustees
- About 150 organization and 16 000 individual members in over 180 countries
- 82 Chapters (19 in formation)
- Chapters are financially independent
- Mission: “to assure the open development, evolution and use of the Internet for the benefit of all people throughout the world”

Board of Trustees

- 9 Trustees selected by 3 constituencies
 - Organizational members 6 Trustees
 - Individual members 3 Trustees
 - IAB 3 Trustees
- Maximum of 5 Board-appointed Trustees
- Current Chair Fred Baker

ISOC programs

- Interconnectivity and standards development
- Industry self-governance
- Legal defense of "Internet"
- Electronic commerce
- Protection against excessive regulation
- INET-conferences
- NDSS (Network and Distributed System Security symposia)
- Education (eg. the Internet Network Technology Workshops)
- Publications

Public Interest Registry (PIR)

- Not-for-profit organization created by ISOC
- PIR was awarded the operating of .ORG TLD in 2002 as a result of a competitive bid organized by ICANN (Internet Corporation for Assigned Names and Numbers)

Financing

- Revenue (~USD 3 million)
 - Organizational members fees
 - Income from PIR
 - Individual member donors
- Expenses (~USD 2,3 million)
 - Program costs
 - Postel Award
 - General (salaries etc.)

Program expenditures

Internet Society Program Expenditures 2003

Policy

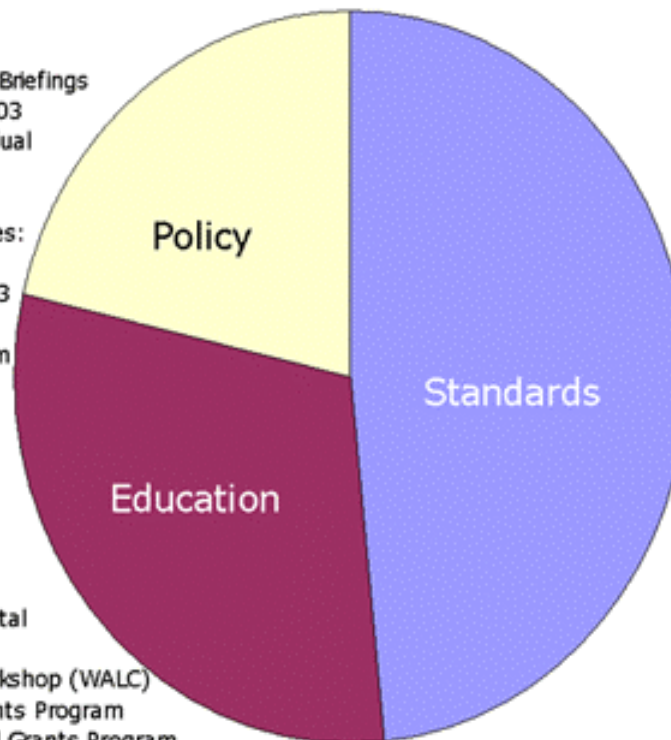
Total: \$493,000

- Policy and Member Briefings
- WSIS/Prepcoms 2003
- Chapter and Individual Member projects and systems
- Various UN initiatives:
 - Special Forums,
 - ITU Telecom 2003 etc
- ISOC Policy Program support

Education

Total: \$702,000

- AfNOG
- ISOC Workshop Portal
- NDSS
- Latin American Workshop (WALC)
- Pan-Asia Small Grants Program
- Pan-Americas Small Grants Program
- ISOC Education Program Support



Standards

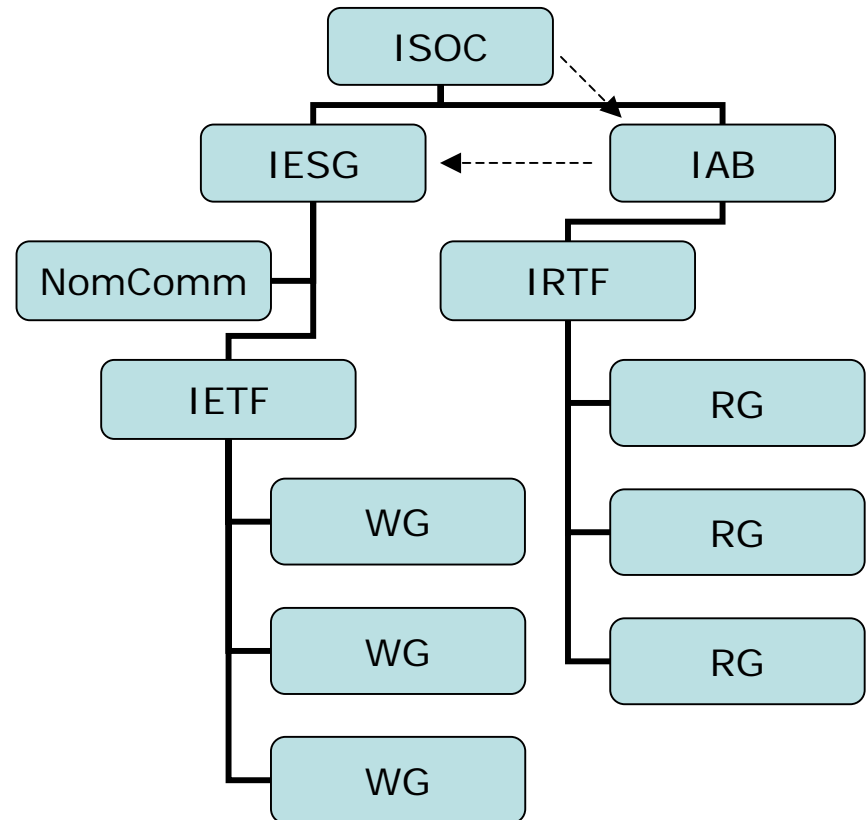
Total: \$1,124,000

- RFC Editor
- IETF/IAB Discretionary Expenses
- ISOC Standards Program support
- Org Member support and Fundraising

Note: includes allocated G&A

ISOC/IETF relationship

- IAB (Internet Architecture Board) and IESG (Internet Engineering Steering Group) organized under ISOC
- RFC-editor funded with ISOC's organization members' fees
- IAB members confirmed by ISOC, part of ISOC's trustees selected by IAB
- For more information, see RFC 2031



Membership

- Individual membership is free (“global membership”)
- Chapters may collect fees from individual members
- Organization membership fees range from USD 2 500 to 100 000 depending on level and type of organization

ISOC Finland

- Founded in 1994 under the name Suomen Internet-yhdistys (the Finnish Internet Association)
- Chartered as an ISOC Chapter in 1999
- 160 individual members, 2 organizational members
- Membership fees 2004:
 - individual members 12 € (students 6 €)
 - organizational members 100 – 500 €

ISOC Finland Board 2004

- Full members:
 - Tommi Karttaavi, President
 - Timo Kiravuo, Vice President
 - Erkki Kolehmainen, Treasurer
 - Veli Kahrala
 - Terho Nevasalo
 - Anna-Maija Nurminen-Lempinen
 - Jyrki Soini
 - Kukka Tommila
- Alternate members:
 - Kare Casals
 - Kari Mikkela

ISOC Finland activities

- Information dissemination
- Seminars, workshops, roundtables
- Public policy (statements on proposed laws etc.)
- Standardization activities
- Collecting Finnish Internet history
- ICANN At-Large Structure Organization

Thanks!

tommi.karttaavi@isoc.fi

www.isoc.fi